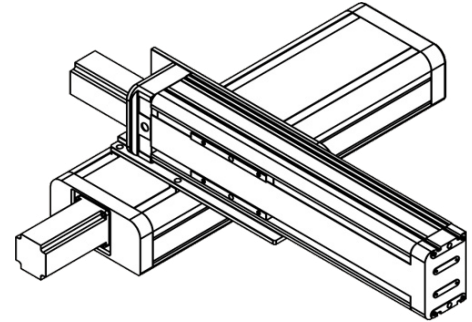


# NSK-RG-HM - XY Tables

FEATURES

- **Motorless Design**
- **X-Axis Stroke Length: 300-2,000mm**
- **X-Axis Screw Lead: 10, 20, or 40mm**
- **Y-Axis Stroke Length: 250-950mm**
- **Y-Axis Screw Lead: 10 or 20mm**
- **Payload up to 40kg**
- **Combine Any X And Y Axis**
- **NEMA and Metric Motor Compatible**
- **Fully Covered Aluminum Casing with Belts to Eliminate Contaminates**
- **Optional Limit Sensor, Module Mounting Plates, and Motor Mounting Kits**

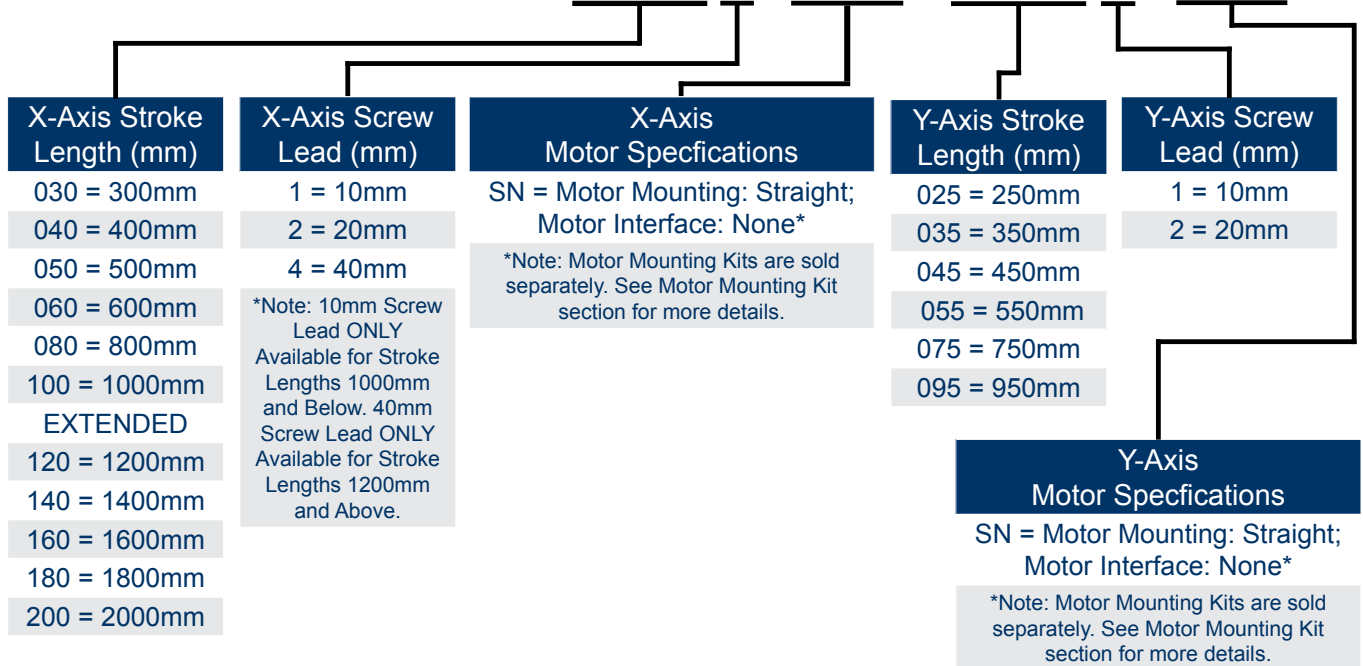


DESCRIPTION

Anaheim Automation offers a line of top-quality XY Tables, supplied by one of the industry's leading manufacturers, NSK. These XY tables offer high precision, unsurpassed performance, and maintenance-free operation for as long as 5 years or 50,000km. The NSK-RG-HM series is offered in X-axis stroke lengths up to 2,000mm and Y-axis stroke lengths up to 950mm, with payloads up to 40kg (stroke length and acceleration dependent). The X-axis is mounted in a standard position, with a Y-Axis attached via the motor side base plate with an L-Bracket on its side. Screw leads are available in 10, 20, or 40mm; optional sensor kits, module mounting plates, motor mounting kits, and support slides are available as customization options. Anaheim Automation is happy to assist in the selection, installation, and troubleshooting of these XY tables; contact one of our Applications Engineers for information.

ORDERING INFORMATION

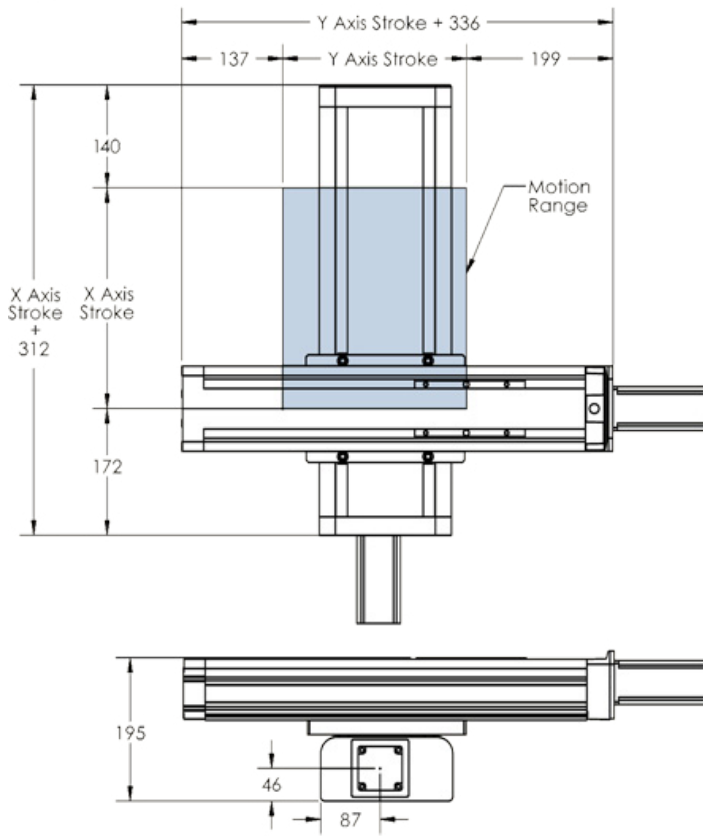
## NSK-RG-HM-0251-SN-0251-SN



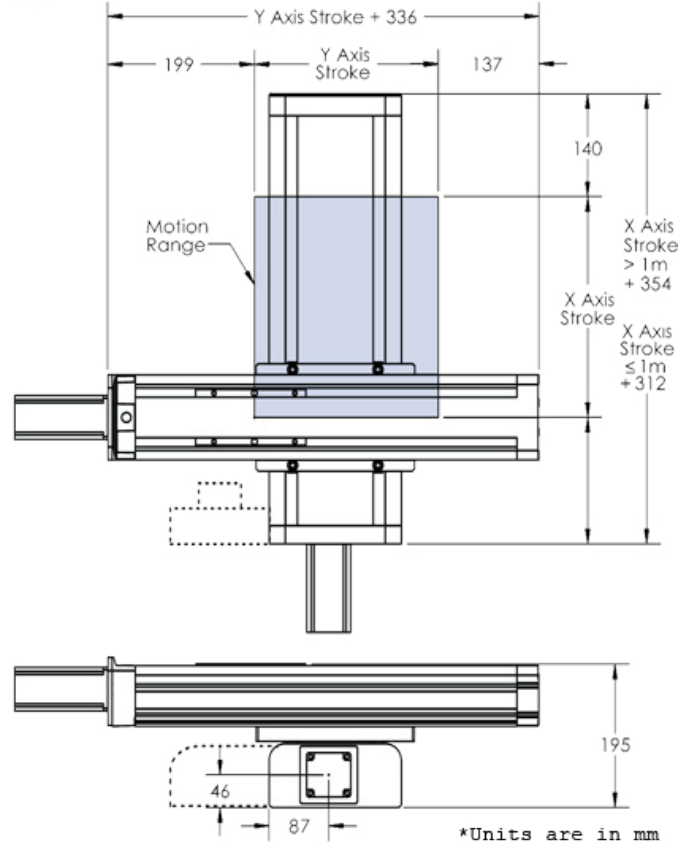
**\*Note: Motor Mounting Kits are sold separately.**  
Please refer to the Motor Mounting Kits section for mounting kit part numbers.

L011110

**Type A**



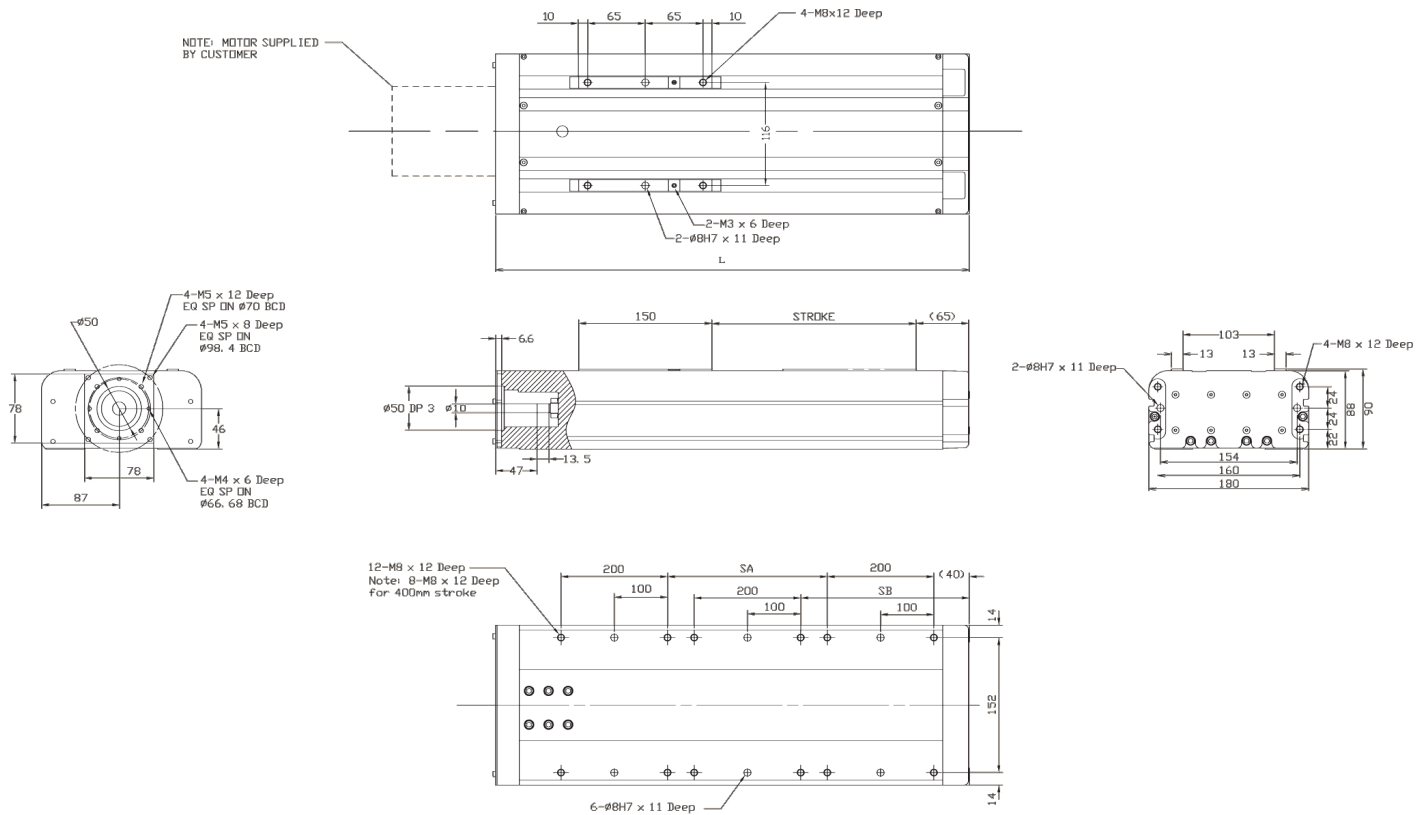
**Type B**



\*Units are in mm

Transportable Mass Table (kg)						
Acceleration (m/s <sup>2</sup> )	Y-Axis Stroke Length (mm)					
	250	350	450	550	750	950
4.9	40	40	40	40	33	24
9.8	40	40	33	28	19	13

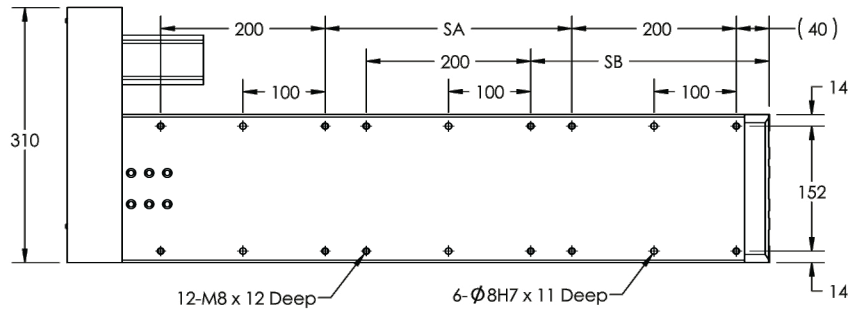
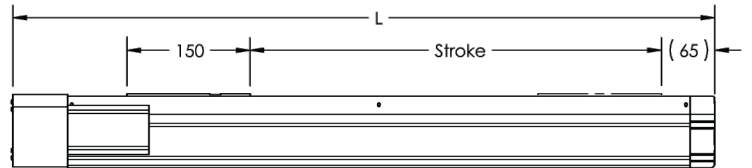
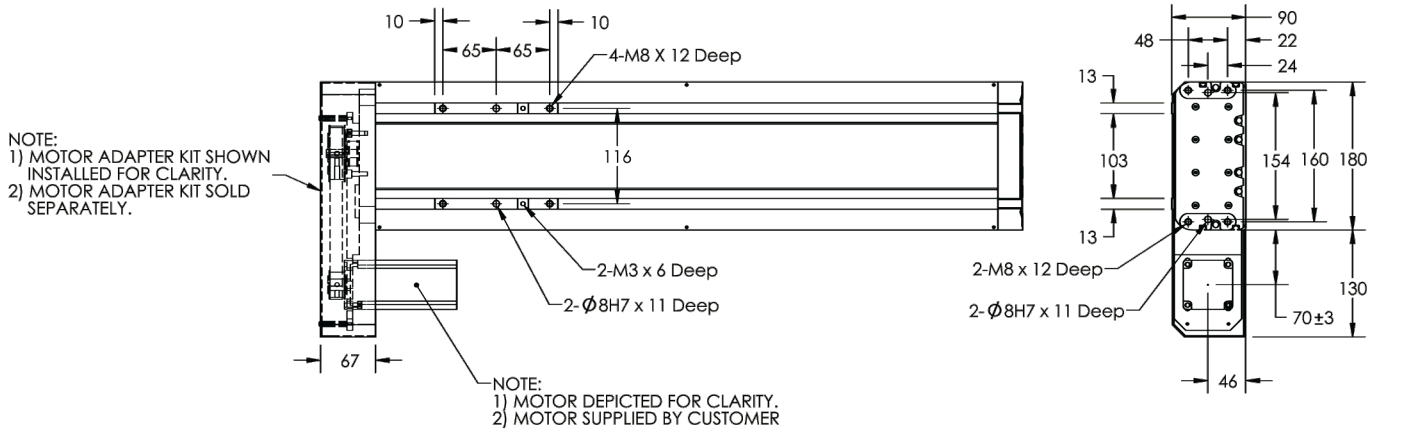
Linear Guide Moment Capacities <sup>2</sup>		
Rolling Moment (Nm)	Pitching Moment (Nm)	Yawing Moment (Nm)
600	450	400



Note: Maximum input torque is 3.8 N-m  
 1) If your payload exceeds listed value call NSK.  
 2) The individual moment capacities are defined as the value at which the fatigue life is 10,000 km when that moment acts continuously on the linear guide.

RH MODULE DIMENSIONS						
	STROKE LENGTHS					
	300	400	500	600	800	1000
SA	100	200	300	400	600	800
SB	190	240	290	340	440	540
L	612	712	812	912	1112	1312

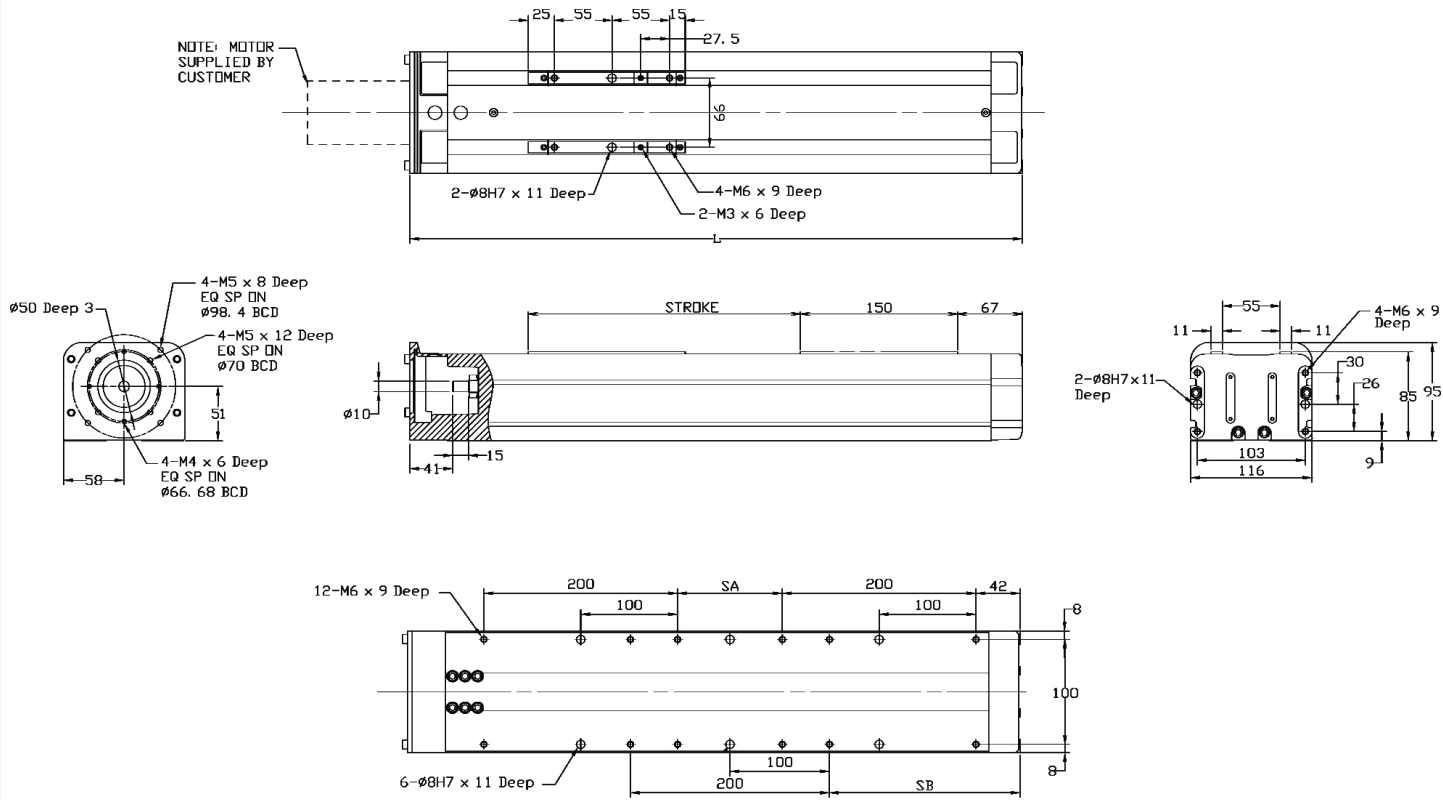
Linear Guide Moment Capacities <sup>2</sup>		
Rolling Moment (Nm)	Pitching Moment (Nm)	Yawing Moment (Nm)
600	450	400



- 1) If your payload exceeds listed value call NSK.
- 2) The individual moment capacities are defined as the value at which the fatigue life is 10,000 km when that moment acts continuously on the linear guide.

RH EXTENDED MODULE DIMENSIONS						
	STROKE LENGTHS					
	1200	1400	1600	1800	2000	
SA	1000	1200	1400	1600	1800	1800
SB	640	740	840	940	1040	1040
L	1548	1748	1948	2148	2348	2348

Linear Guide Moment Capacities <sup>2</sup>		
Rolling Moment (Nm)	Pitching Moment (Nm)	Yawing Moment (Nm)
70	120	120



Note: Maximum input torque is 3.8 N-m  
 1) If your payload exceeds listed value call NSK.  
 2) The individual moment capacities are defined as the value at which the fatigue life is 10,000 km when that moment acts continuously on the linear guide.

RM MODULE DIMENSIONS						
	STROKE LENGTHS					
	250	350	450	550	750	950
SA	70	170	270	370	570	770
SB	177	227	277	327	427	527
L	586	686	786	886	1086	1286

Motor Mounting Kits provide the hardware necessary to connect NEMA 23, NEMA34 or 60mm Frame Metric Motors to the base module. These kits allow the user flexibility to attach motors of their choice to the base module. There are five kits available for RH/RM Modules  $\leq 1000\text{mm}$  and six kits available for RH Extended Modules  $\geq 1200\text{mm}$ . These motor mounting kits are sold separately.



**Note: The X-Axis Module and Y-Axis Module do not come installed with a Metric or NEMA motor mount. Choose from the options below for each Axis.**

X-AXIS AND Y-AXIS MOTOR MOUNTING KITS

### RH/RM MODULES - STROKE LENGTHS $\leq 1000\text{mm}$ :

#### **NSK-XY-P5586RM - NEMA 23 1/4" Motor Kit**

- NEMA 23 Motor Adapter Ring
- Jaw Type Shaft Coupling, 10mm x 1/4" x 47.6mm
- Disk Type Shaft Coupling, 10mm x 1/4" x 44.5mm
- Qty 4, M4 x 8 Socket Head Cap Screw

#### **NSK-XY-P5587RM - NEMA 34 3/8" Motor Kit**

- NEMA 34 Motor Adapter Ring
- Jaw Type Shaft Coupling, 10mm x 3/8" x 47.6mm
- Disk Type Shaft Coupling, 10mm x 3/8" x 44.5mm
- Qty 4, M5 x 16 Socket Head Cap Screw

#### **NSK-XY-P5717RM - NEMA 23 3/8" Motor Kit**

- NEMA 23 Motor Adapter Ring
- Jaw Type Shaft Coupling, 10mm x 3/8" x 47.6mm
- Disk Type Shaft Coupling, 10mm x 3/8" x 44.5mm
- Qty 4, M4 x 8 Socket Head Cap Screw

#### **NSK-XY-P5718RM - NEMA 34 1/2" Motor Kit**

- NEMA 34 Motor Adapter Ring
- Jaw Type Shaft Coupling, 10mm x 1/2" x 47.6mm
- Disk Type Shaft Coupling, 10mm x 1/2" x 44.5mm
- Qty 4, M5 x 16 Socket Head Cap Screw

#### **NSK-XY-P5588RM - 60mm Frame Metric Motor**

- Jaw Type Shaft Coupling, 10mm x 14mm x 47.6mm
- Disk Type Shaft Coupling, 10mm x 14mm x 44.5mm
- Qty 4, M5 x 16 Socket Head Cap Screw

**RH MODULES - STROKE LENGTHS  $\geq$  1200mm:****NSK-XY-P5743RM - NEMA 23, 1:1 Pulley Ratio Motor Kit**

- NEMA 23 Motor Mounting Plate
- NEMA 23 Motor Mounting Nut Plate
- Belt Cover
- Qty 4, M3 Hex Standoff
- Motor Pulley, 1/4" ID, 31.83 PD
- Motor Pulley, 3/8" ID, 31.83 PD
- Ballscrew Pulley, 10mm ID, 31.83 PD
- Timing Belt
- Assorted Fasteners

**NSK-XY-P5744RM - NEMA 23, 2:1 Pulley Ratio Motor Kit**

- NEMA 23 Motor Mounting Plate
- NEMA 23 Motor Mounting Nut Plate
- Belt Cover
- Qty 4, M3 Hex Standoff
- Motor Pulley, 1/4" ID, 31.83 PD
- Motor Pulley, 3/8" ID, 31.83 PD
- Ballscrew Pulley, 10mm ID, 63.66 PD
- Timing Belt
- Assorted Fasteners

**NSK-XY-P5745RM - NEMA 34, 1:1 Pulley Ratio Motor Kit**

- NEMA 34 Motor Mounting Plate
- NEMA 34 Motor Mounting Nut Plate
- Belt Cover
- Qty 4, M3 Hex Standoff
- Motor Pulley, 3/8" ID, 31.83 PD
- Motor Pulley, 1/2" ID, 31.83 PD
- Ballscrew Pulley, 10mm ID, 31.83 PD
- Timing Belt
- Assorted Fasteners

**NSK-XY-P5746RM - NEMA 34, 2:1 Pulley Ratio Motor Kit**

- NEMA 34 Motor Mounting Plate
- NEMA 34 Motor Mounting Nut Plate
- Belt Cover
- Qty 4, M3 Hex Standoff
- Motor Pulley, 3/8" ID, 31.83 PD
- Motor Pulley, 1/2" ID, 31.83 PD
- Ballscrew Pulley, 10mm ID, 63.66 PD
- Timing Belt
- Assorted Fasteners

**NSK-XY-P5747RM - 60mm Frame Metric Motor, 1:1 Pulley Ratio Motor Kit**

- Metric Motor Mounting Plate
- Nut Plate, Metric Motor
- Belt Cover
- Qty 4, M3 Hex Standoff
- Motor Pulley, 14mm ID, 31.83 PD
- Ballscrew Pulley, 10mm ID, 31.83 PD
- Timing Belt
- Assorted Fasteners

**NSK-XY-P5747RM - 60mm Frame Metric Motor, 2:1 Pulley Ratio Motor Kit**

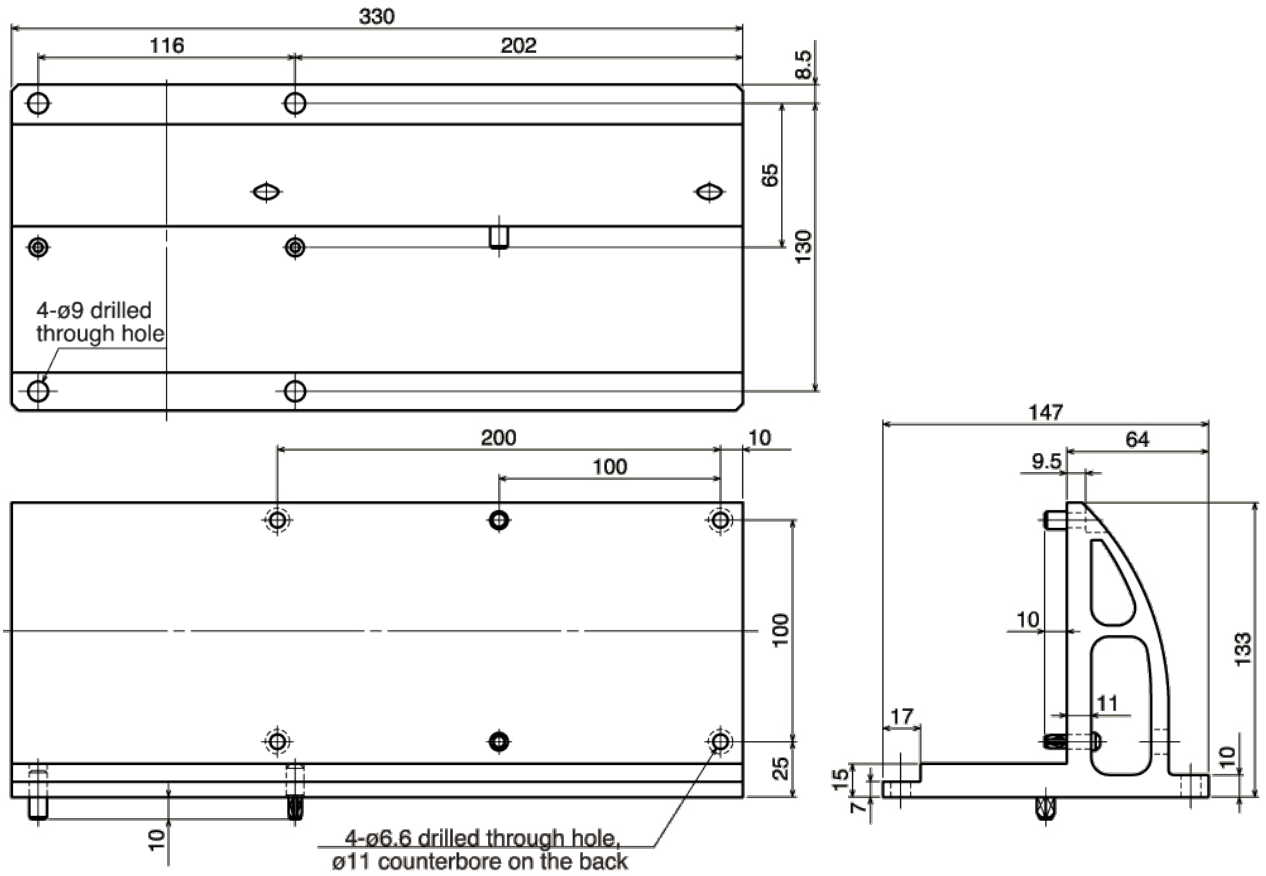
- Metric Motor Mounting Plate
- Nut Plate, Metric Motor
- Belt Cover
- Qty 4, M3 Hex Standoff
- Motor Pulley, 14mm ID, 31.83 PD
- Ballscrew Pulley, 10mm ID, 63.66 PD
- Timing Belt
- Assorted Fasteners



# Combining Bracket

- Brackets used for combining modules into 2-Axis mechanism
- Combining Brackets contain dowel pins to ensure a high reproducibility of assembly accuracy

## NSK-XY-P175GHM-1



COMBINING BRACKETS

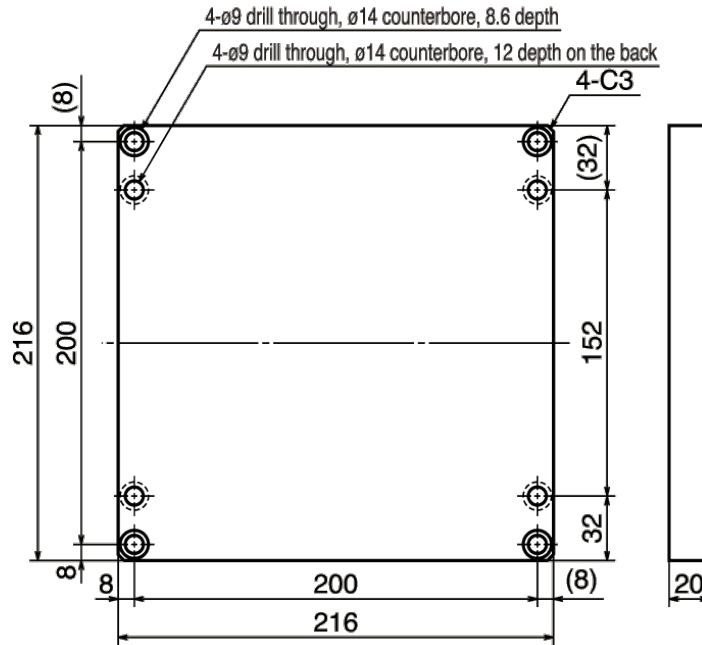
# Accessories: Mounting Plates and Limit Sensor Kit



ACCESSORIES - MOUNTING PLATES AND LIMIT SENSOR KIT

- Plates are used for mounting the module in a “top down manner”
- Two mounting plates are required per fixed module
- Part Number designates a quantity of one mounting plate

## NSK-XY-P170H-1

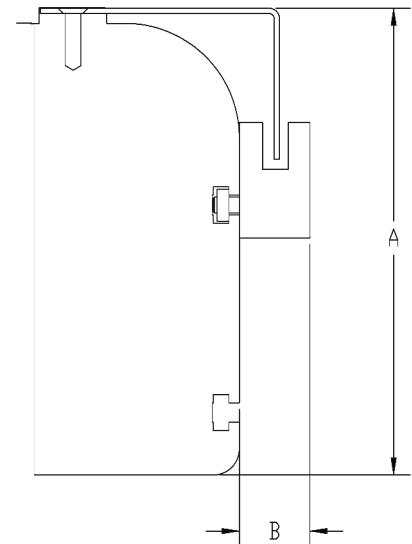


### Limit Sensor Kit:

**RH Module: NSK-XY-L3542RM**

**RM Module: NSK-XY-L3543RM**

- Qty 1 - Module Limit Sensor Flag (M or H)
- Qty 3 - Limit Sensor (Omron EE-SX672A)
- Qty 3 - Limit Sensor Cable with Connector, 2m long (Omron EE-1010-R2M)
- Qty 3 - Limit Sensor T-Slot
- Qty 6 - M3 x 8 Socket Head Cap Screw
- Qty 1 - M3 x 6 Flat Head Screw

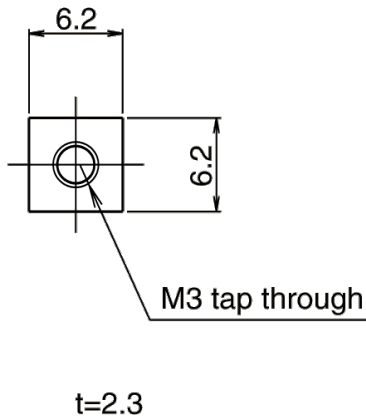


MODULE CROSS SECTION		
	Dimension A	Dimension B
RM MODULE	85mm	14mm
RH MODULE	90mm	14mm

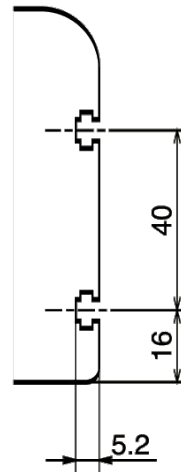
# Accessories: Square Nut

## Square Nut: NSK-XY-P170M3-1

- This nut is used to secure accessories to the side of the module
- Nuts are supplied in sets of 4



### RM Module



### RH Module

